

fi dmx-dmx 1e

DMX splitter/booster

DMX signal converter with DSI output for safe and simple dimming of DSI receivers.



Properties

- DALI output with short circuit and reverse polarity protection
- safe galvanic separation of DMX (SELV) and DALI outputs to EN 60950
- low-loss power supply with international input voltage range
- start channel easily adjustable via optional digital display
- can be controlled by external potentiometer in the absence of DMX signal
- PCB construction for integration in lighting systems.

Combinable with the following feno products



fc s.dmx 48d



fc s.dmx 144d



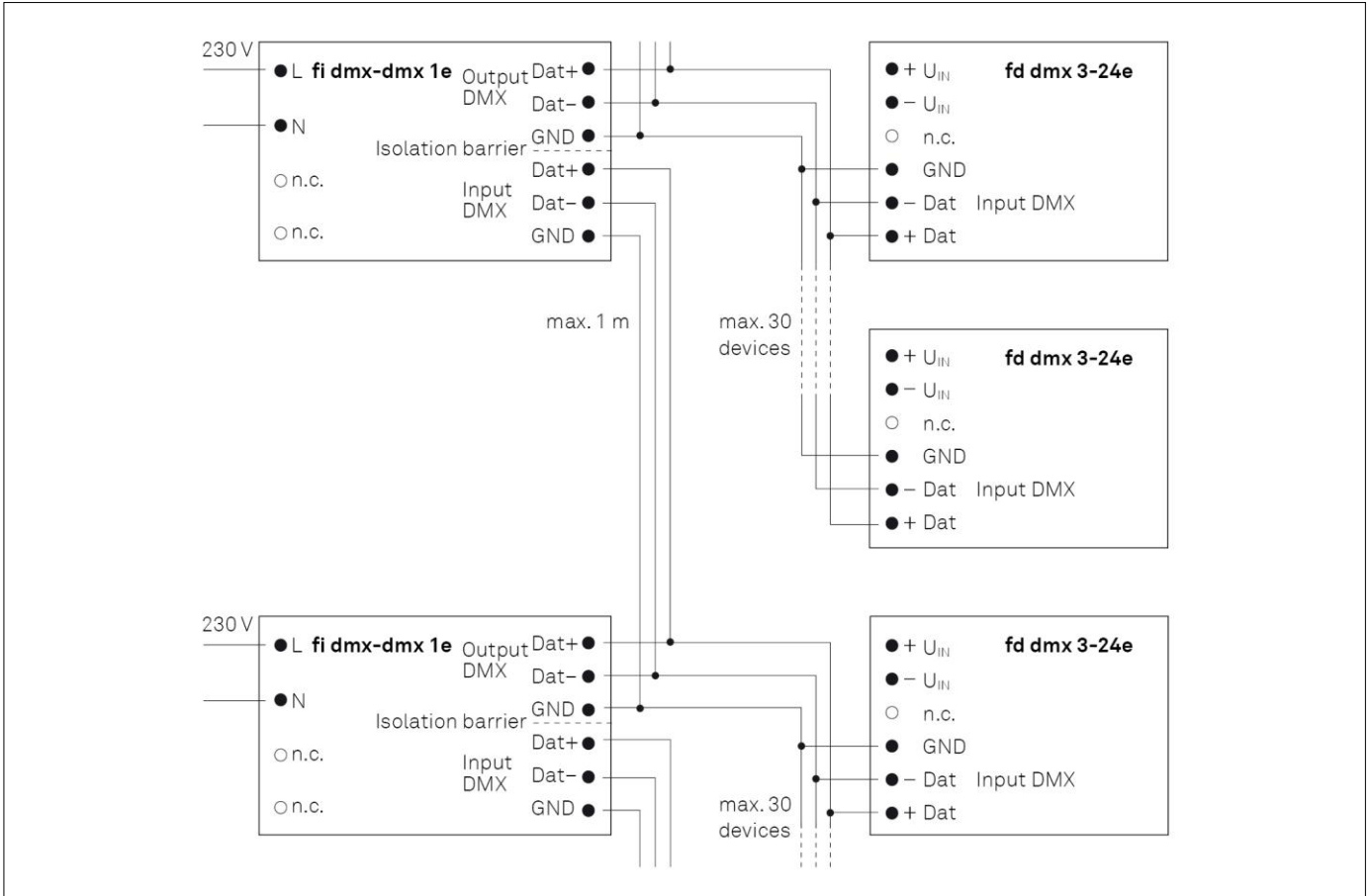
fc dmx 512u

Ordering Information

Product name	fi dmx-dmx 1e
Item number	0000 0230

fi dmx-dmx 1e DMX splitter/booster

Wiring Diagram



Technical Details

Supply voltage	230 V, 50/60 Hz
Power consumption	0,02 A max.
Control inputs	1
Control signal	DMX
Outputs	1
Output signal	DMX
Galvanic isolation	yes
Outputs short circuit proof	yes
Ambient temperature	-20..45 °C
Dimensions (L/W/H)	167 x 42 x 31 mm
Weight	160 g

Standards

EN 61347-1
 EN 61347-2-11
 EN 60950-1
 EN 61547
 EN 55015
 EN 61000-3-2
 EN 61000-3-3