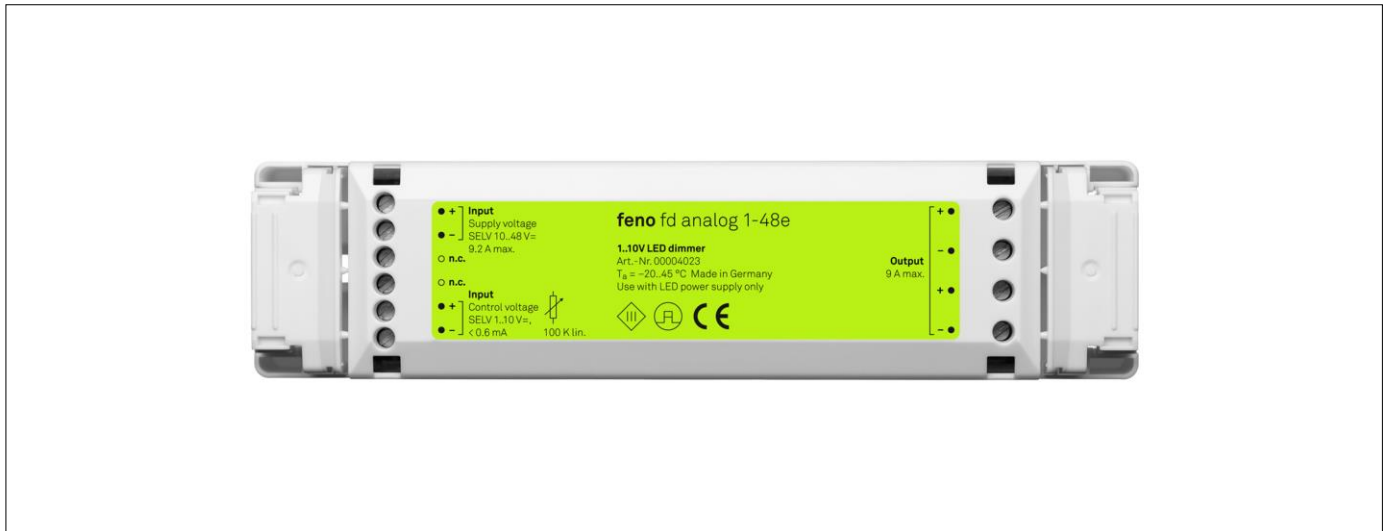


## fd analog 1-48e

### 1..10V LED dimmer

LED dimmer with 9A constant voltage output for smooth control especially in lower dimming range.



#### Properties

- Robust constant voltage dimmer with high current capacity
- Protected against short-circuit and overtemperature
- Smooth dimming control even in the lowest range
- Dimming curve matched to eye sensitivity
- Control with potentiometer or 1..10V control devices
- Plastic housing construction with cable grip

#### Ordering Information

Product name	fd analog 1-48e
Item number	0000 4023

#### Available Versions



fd analog 3-48e

#### Combinable with the following feno products

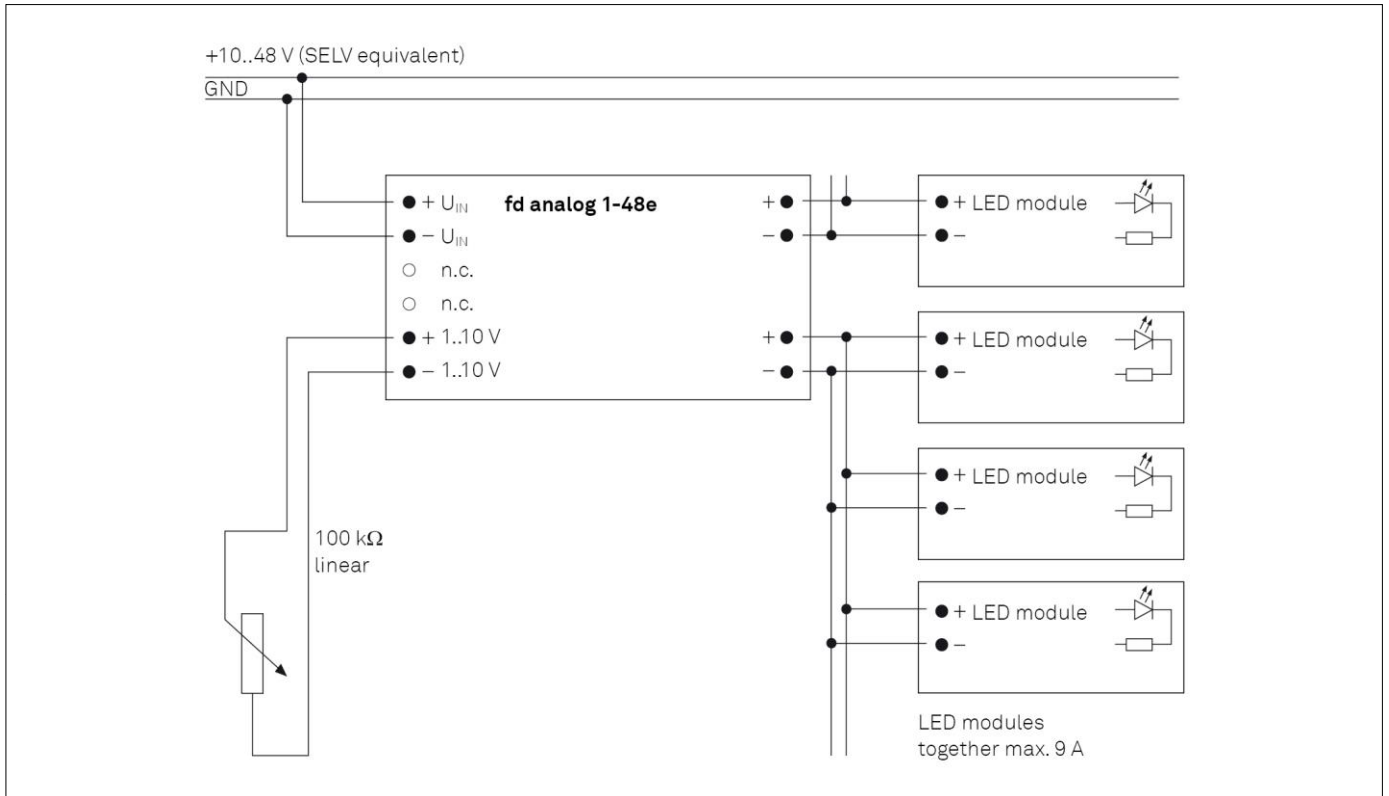


fd booster 3-48e

## fd analog 1-48e

1..10V LED dimmer

### Wiring Diagram



### Technical Details

<b>Supply voltage</b>	10..48 V DC (SELV)
<b>Power consumption</b>	9,2 A max.
<b>Control inputs</b>	1
<b>Control signal</b>	1..10 V
<b>Operating mode</b>	Constant voltage
<b>Outputs</b>	1
<b>Dimming frequency / internal</b>	240 Hz/16 Bit
<b>Output voltage</b>	10..48 V DC
<b>Output load</b>	1 x 9 A
<b>Outputs short circuit proof</b>	yes
<b>Ambient temperature</b>	-20..45 °C