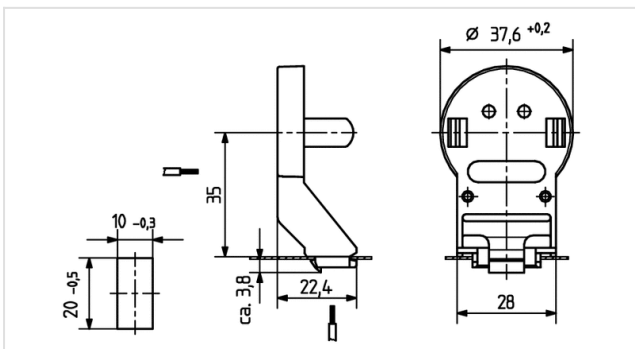




22.945.-301

Incandescent Lampholders
Accessories: E27, E26



Color: weiß
FC: 50
Part no.: 22.945.-301.50



Description

- Verdrahtung innerhalb des Leuchtenkörpers oder durch den Fuß.

Product name:	Snap on insulating cap $\varnothing 37.6$ mm with snap in foot
Color:	white
Mounting method 1:	Snap-in foot 10 x 20 mm
Material:	Housing: PA
Weight:	8
Material thickness:	0.7 - 0.9
Accessories:	E27
Pkg.:	500