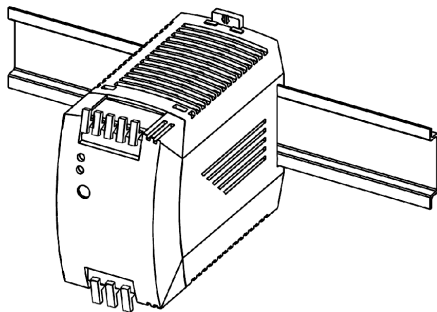


proDIM ML 30.100
Power supply for proDIM BC 9000 100–250 V AC



Power supply proDIM ML 30.100 with an input voltage range of 100 to 240 V AC means the system can be used anywhere.

- Extremely user-friendly installation and connection because no tools are needed
- Approved worldwide for industry, offices and the home (UL, EN, CSA, CB Scheme)
- Tiny: W x H x D = 45 x 75 x 91 mm
- Free space for cooling

Natural convection, no fan required. 25 mm recommended on sides with ventilation grilles.

Simply snaps onto DIN rails (TS35/7.5 or TS35/15). Held firmly and securely in place; no special tools needed for removal. Connected via spring clamps;

Uniform solid contact, vibration-proof and maintenance-free: 2 terminals per output pole

Output voltage

- Preset DC 24-28 V (front potentiometer, setting range guaranteed) 24.5 V \pm 0.5 %
- Control accuracy: static 0.5 % Vout, dynamic \pm 2 % Vout for all
- Ripple: <50 mVp-p (20 MHz bandwidth, 50 L/measurement)
- Overvoltage protection

Other special features

- All the terminals are easily accessible on the front panel of the unit.
- No possibility of confusing the input and output as they are clearly separate (input underneath, output above).
- No tools needed for installation or connection
- Simple, quick, permanent and reliable installation

Approvals:

- EN 61000-6-2
- EN 61000-6-3
- EN 55011
- EN 55022
- EN 60 950

- EN 60204-1
- EN 50178
- USA UL 60950, E137006, UL508 LISTED, E198865

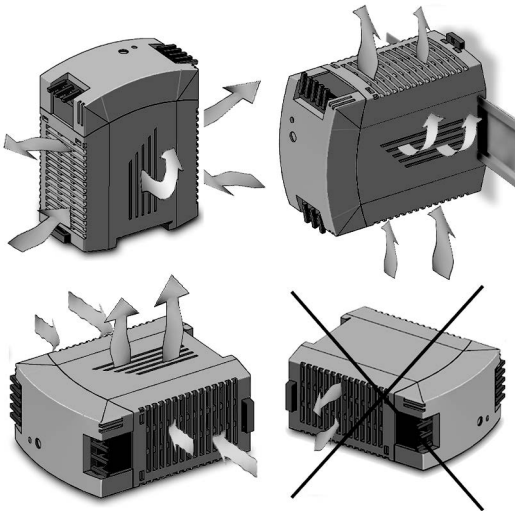
Glow-wire test

according to EN 60598-1 passed.

Type	proDIM ML 30.100
Article number	24138754
Input voltage AC	100–240 V
Input voltage DC	85–264 V
Input current at 100 V AC	< 0.60 A
Input current at 196 V AC	< 0.35 A
Frequency	0/50/60 Hz
Secondary voltage	24 V DC
Output voltage adjustable	24–28 V DC
Output power	30 W
Max. output current	1.3 A
Operating temperature	-10 to +70 °C
Storage temperature	-25 to +85 °C
Weight	230 g
Dimensions L x W x H	75 x 45 x 98 mm
Relative humidity	95 %, no condensation
Mounting	on DIN rail
Installation position	see details below; free space for cooling: 25 mm on sides with ventilation grid
Protection type	IP 20

see also data sheet of manufacturer: www.puls-power.com

Mounting position



Circuit diagram

