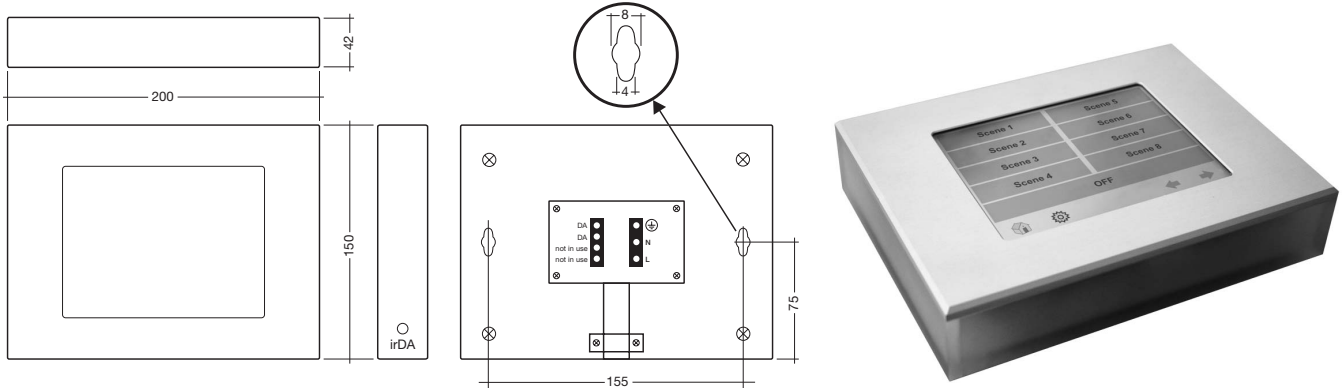


luxCONTROL DALI x-touchBOX
comfortDIM



x-touchBOX:

- Lighting management system for 64 DALI units with integrated DALI bus supply.
- Colour touch screen (5.7").
- User-friendly application software.

Functions:

- Manual dimming and switching
- Manual scene selection
- Time-controlled scene selection (sequencing) maximum of 99 sequences
- Calendar-controlled scene selection (scheduling) maximum of 7 schedules

User-defined labelling of scenes, groups, sequences and schedules.
Software updates with PC via irDA interface.

DALI system functions:

- Addressing
- Grouping
- Scene defining

Applications:

Changing lighting scenes in offices, restaurants, homes, shop interiors and shop windows.

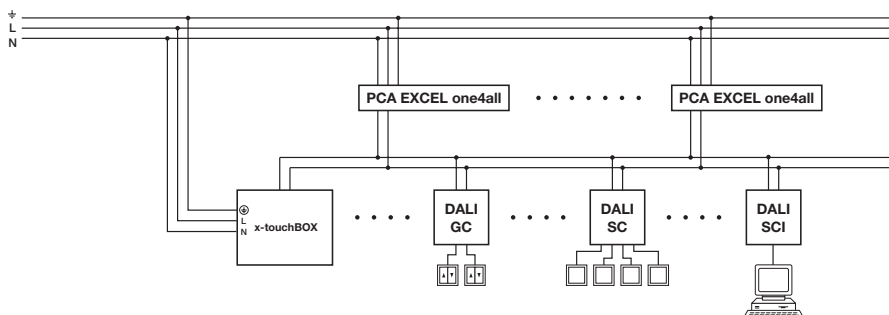
Assembly/installation:

- The x-touchBOX is connected to the DALI bus and to the mains supply
- No external DALI bus supply needed
- Simple fixing with two screws at the back
- Screws, dowels and drilling template included
- DALI is not SELV. The installation instructions for low voltage therefore apply.

Designed according to:

- EN 61547
- EN 6000-3-2
- EN 6000-6-2
- EN 6000-3-3
- EN 55015
- EN 55011

| Type | | x-touchBOX | |
|----------------------|------------------------|------------|--|
| Article number: | | 24138954 | |
| Power supply: | Mains voltage | V | 110–240 |
| | Mains frequency | Hz | 50/60 |
| | Max. load | W | 10 |
| Input: | – | – | Touch panel (5.7" / 320x240 / 256 colours) |
| | – | – | irDA interface |
| Output: | – | – | DALI |
| | Current | mA | 200 |
| Temperature: | Ambient temperature ta | °C | 0–50 |
| Weight | – | kg | 0.92 |
| Dimensions L x W x H | – | mm | 200 x 150 x 42 |
| Fixing centres (D) | – | mm | 155 |
| Protection class | – | – | SK I |



For further technical information please visit www.tridonicatco.com