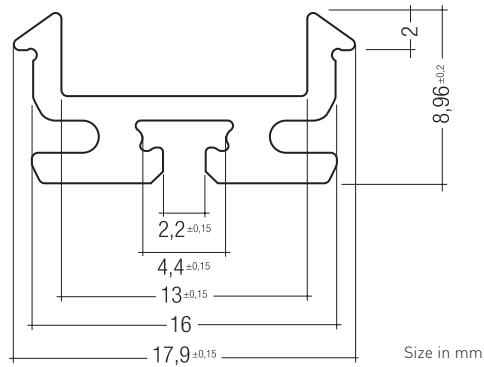
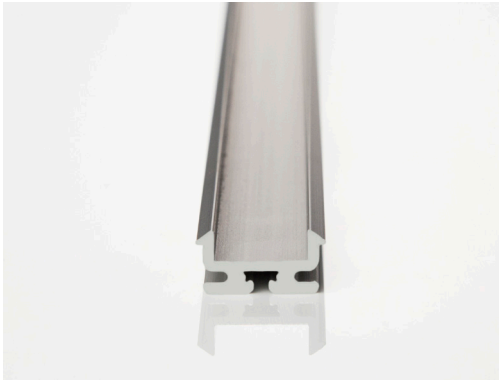


PROFILE | Z201-2

PROFILE | Z201-2



TECHNICAL DATA

Dimensions LxWxH	2,000 ¹ x 18 x 9 mm
Weight	0,34 kg
Coefficient of linear expansion	23 * 10 ⁻⁶ / K

¹Tolerance length: ± 1 mm

RoHS

PRODUCT DESCRIPTION

- Aluminium mounting plate for LED modules up to a width of 12 mm
- Use in combination with different lenses is possible
- Aluminium, anodised natural
- Installation with Fixing Plates
- Mounting unit for plastic cover
- Compact cross-section (9 x 18 mm)
- Can be expanded with extensive accessories

ORDERING DATA - PROFILE | Z201-2

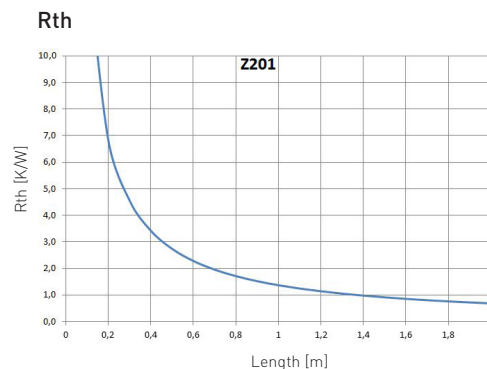
Type	Art. Nr.
LED Z201-2 MOUNTING PROFILE AL - 2m	24166149

PROPERTIES

Cooling properties

Cooling capacity @ 0°C ambient temperature:	42 W/m thermal power
Cooling capacity @ 25°C ambient temperature:	26 W/m thermal power
Cooling capacity @ 40°C ambient temperature:	15 W/m thermal power

Remark: Data valid for 63°C profile temperature. The applicable electrical power depends on the optical efficiency of the mounted LED modules. E.g. for LEDs with 30% optical efficiency, the applicable electrical power results as thermal power divided by [1 - 0,3].



The actual Rth can differ because of the inbuilt situation.