

 Create pdf

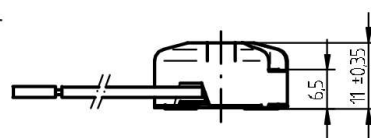
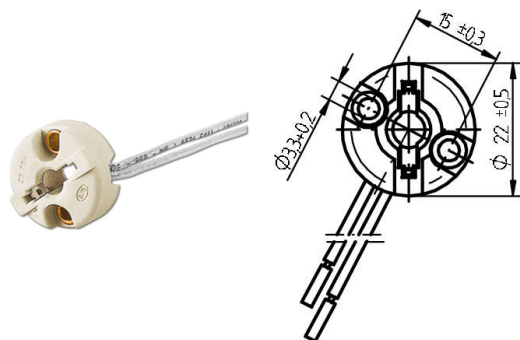
## Lampholders for discharge lamps

25.704.2001

PGJ5



pkg.	wt.	part no.
500	8 g	25.704.2001.00



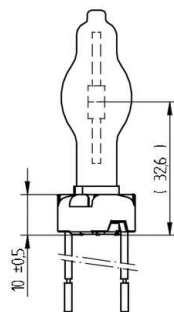
Wires: 2 ignition cables attached, Cu, nickel plated, 0.75 mm<sup>2</sup>, with ferrule, Insulation: PTFE (max. 250° C), Free cable length: 215 / 225 mm


For Philips Mini Master Colour CDM-TM

Screw fixing

Housing: Ceramic / Mica plate

- With back cover.
- Please consult us if fixing at rear with M3 rivet.
- Suitable for light fittings of protection class II in accordance with EN 60598-1 2008.



T250	2 A 250 V	 25 kV / pulse
------	--------------	--

Document generated on: Th, 9. February 2017 - 17:19