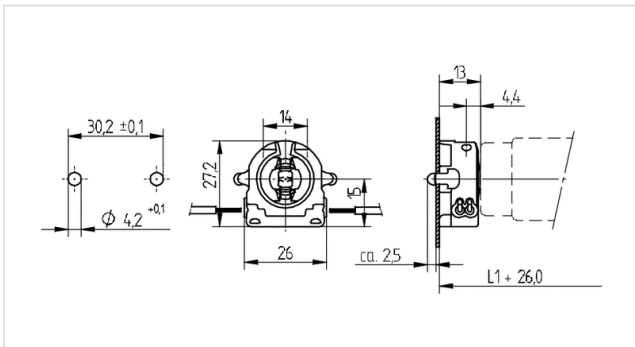





Technik für Licht
Komponenten · Optik · Automation

26.431.1013

Linear Fluorescent Lampholders: General Applications
G13 (Medium Bi-Pin): End Mount Lampholders



Color: weiß
FC: 50
Part no.: 26.431.1013.50


18 AWG
0,5 - 1,0 mm²



U out
500 V



T 130

Tm 110




0,5 - 1,1

Description

- Surface side wiring

Product name:	Fluorescent lampholder G13
LED type:	G13
Color:	white
Mounting method 1:	Push-in pins with wiring barrel foot
Material:	Housing: PC Rotor: PBT
Rotor:	with
cULus file no.:	E-92235
Body thickness:	13
Weight:	6
Approval:	cULus
Front Test:	yes
Material thickness:	0.5 - 1.1
Top Test:	yes
Wiring:	Side entry wiring
Pkg.:	500