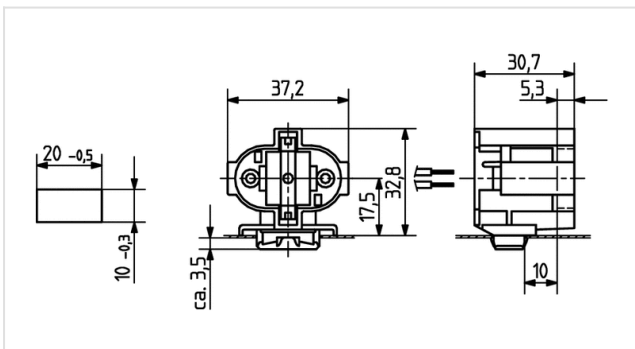




Technik für Licht
Komponenten · Optik · Automation

26.719.4354

Compact Fluorescent Lampholders
G23 Lampholders



Color: weiß
FC: 50
Part no.: 26.719.4354.50



0,5 - 1,0 mm²



max. ø 1,8 mm



0,5 - 1,0 mm²



0,6 - 1,0

T 140

Description

Short description:	For lamps TC-S
Product name:	Lampholder G23
LED type:	G23
Symbol :	140
Farbe:	white
Mounting method 1:	Snap-in foot 10 x 20 mm for vertical insertion
Material:	Housing: PBT
Weight:	14
Material thickness:	0.6 - 1.0
Wiring:	from below the PCB
Pkg.:	250