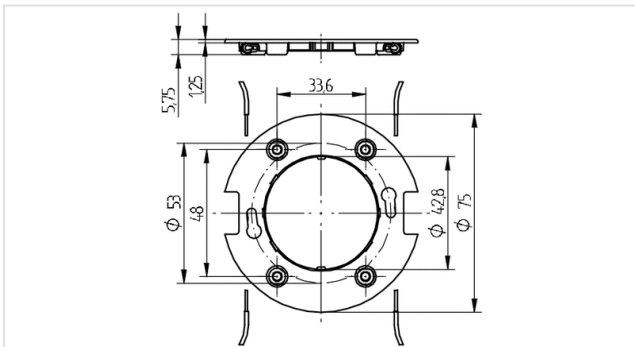




Technik für Licht
Komponenten · Optik · Automation

26.750.1003

Compact Fluorescent Lampholders
GX53



Color: weiß
FC: 50
Part no.: 26.750.1003.50



0,5 - 1,0 mm²



max. ø 1,8 mm



T 100



0,5 - 1,0 mm²

Description

- For cheese head screws ISO 1207 - M3

Product name:	Lampholder GX53
Farbe:	white
Mounting method 1:	Screw mount
Material:	Housing: PC
cULus file no.:	E-92235
Weight:	8
Approval:	additional cULus
Socket:	GX53
T-Marking:	100
Pkg.:	100