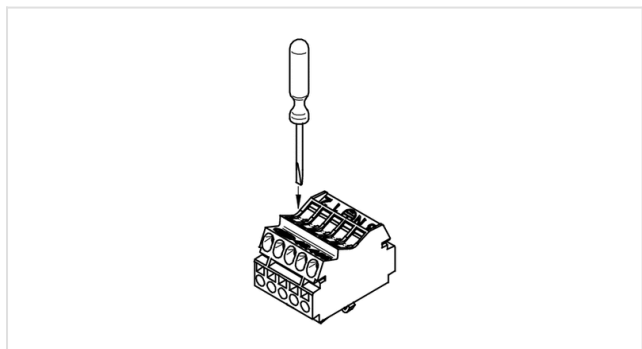
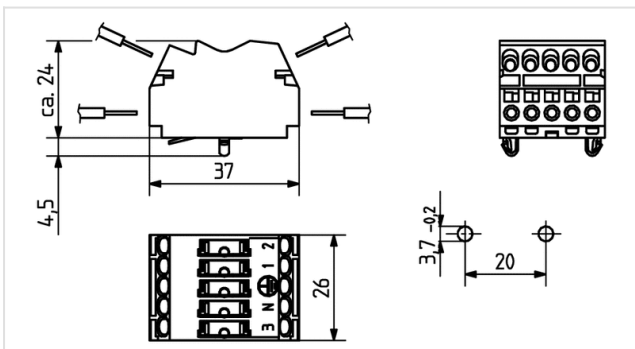





Technik für Licht  
Komponenten · Optik · Automation

# 46.455.3111


Terminal blocks and Connectors  
Pushwire terminals 5 pole (Rast 5)



**Color:** weiß  
**FC:** 50  
**Part no.:** 46.455.3111.50

  
0,5 - 2,5 mm<sup>2</sup>

  
16 A  
450 V

  
max. ø 1,8 mm



T 85  
-40°C



  
max. ø 1,8 mm

  
0,5 - 1,0

## Description

- - Release button on the inside for the upper connections (see drawing)
- 
- - Release options for bottom connections (Wire release by twist and pull)

<b>Short description:</b>	5-pole double decker
<b>Product name:</b>	Terminal block (Rast 5)
<b>Color:</b>	white
<b>Mounting method 1:</b>	Push through mount
<b>Material:</b>	Housing: PC
<b>Marking:</b>	3 N □ 1 2
<b>Weight:</b>	17
<b>Quantity of poles:</b>	5
<b>Material thickness:</b>	0.5 - 1.0
<b>Pkg.:</b>	250