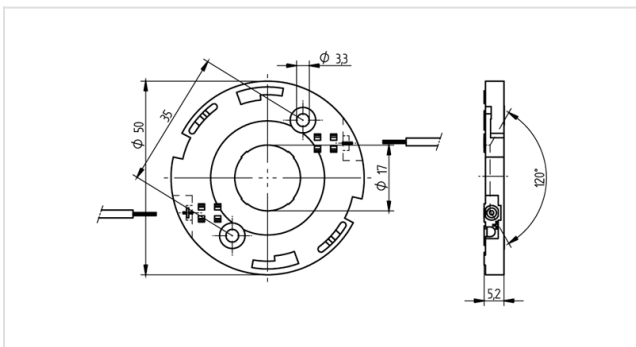
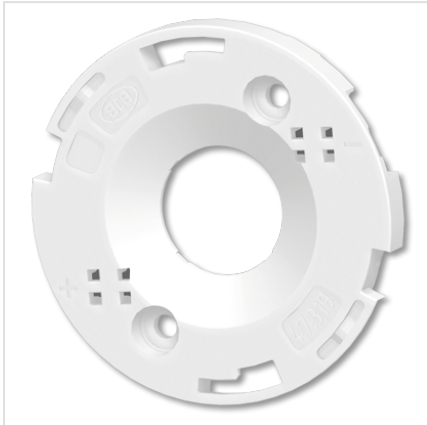




Technik für Licht
Komponenten · Optik · Automation

47.319.2080

Connectors for COBs
47.319 - Spotlight Connectors and Accessories



FC: 50
Part no.: 47.319.2080.50



0,5 mm²

LED-O-LINE

T 130



0,25 - 0,5 mm²

Description

- Screw mounting: for screws M3 and locking washer
- Max. torque for screw fixing 0.5 Nm*
- Strip length: 7-1 mm
- Polarity of LED must be observed
- Specifications of LED manufacturer must be observed
- cURus: For limited applications
- VDE-Reg. No. E289
- *Please note the max torque of the COB manufacturer

Product name:	Connector for COBs
LED type:	MCP 10-17W
Key feature 1:	With integrated reflector interface
Key feature 2:	Easy pre-assembly by LED fixing lugs
Mounting method 1:	Screw mount
Mounting method 2:	P2F-Befestigung mit 28.902.-102
Material:	Housing: PBT Contacts: CuSn
cULus file no.:	E-345385
Weight:	5
Approval:	cURus
Rating:	Rating: 3A / 150 VDC
Pkg.:	504