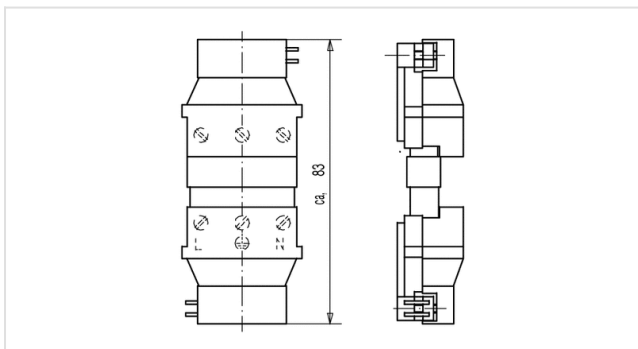
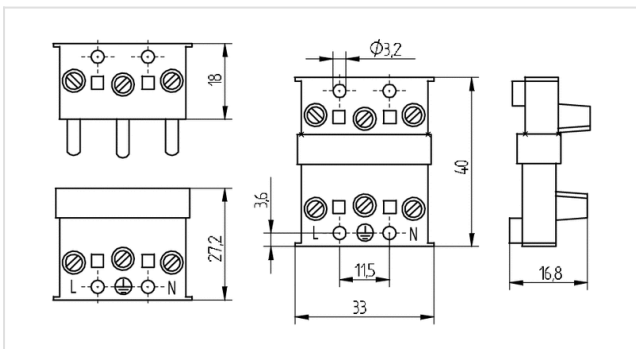




Technik für Licht
Komponenten · Optik · Automation

48.271.0311

Connectors
3 pole



Color: naturfarben
FC: 51
Part no.: 48.271.0311.51

16 A
400 V



$\phi 3,4$



Description

- - Nominal cross section: 1.5 mm²

Product name:	Connector 3 poles
Color:	natural color
Plug/socket:	Plug and Socket
Mounting method 1:	Screw mount
Material:	Housing: PBT
Marking:	L *0* N
Weight:	18
Quantity of poles:	3
Screw terminals:	ø 3.4
Pkg.:	500
Information RoHS / REACH:	This product contains the following REACH SVHC substances: Lead in specific copper alloys For more information, please refer to: https://www.bjb.com/en/Information-RoHS/REACH