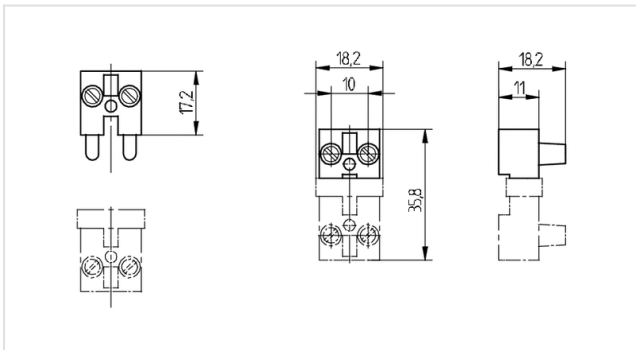




Technik für Licht
Komponenten · Optik · Automation

48.281.7200

Connectors
2 pole



Color: schwarz
FC: 80
Part no.: 48.281.7200.80

16 A
400 V



Ø 3,4



Description

- - Nominal cross section: 1,5 mm²
- - Nominal current: 16 A upto ambient temperature Tu = 85° C

Product name:	Connector 2 poles
Color:	black
Plug/socket:	Plug
Mounting method 1:	Screw mount
Material:	Housing: PBT
Weight:	6
Quantity of poles:	2
Screw terminals:	ø 3.4
Pkg.:	1000
Information RoHS / REACH:	This product contains the following REACH SVHC substances: Lead in specific copper alloys For more information, please refer to: https://www.bjb.com/en/Information-RoHS/REACH