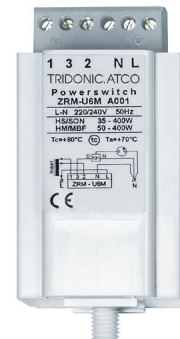
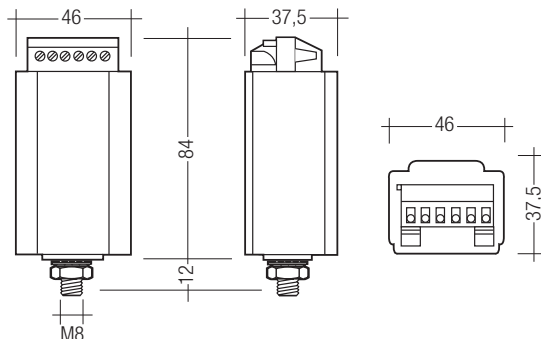


ZRM U6M A001 (for magnetic chokes)
ZRM U6M A003 (for electronic ballasts)



ZRM U6M – Simple and effective

Digital power switch ZRM U6M switches high-pressure lamps on automatically during the night without the need for any control lines. Switching times can be set up via the mains supply.

ZRM U6M works independently, without the need for servicing and without a control line.

- For switching impedance with tapped ballasts
- Digital switch over relay with short time bridging allowing the changeover to a lower lighting level
- Integrated delay (10 minutes) for lamp-friendly starting at 100 % level
- Suitable for any existing installation.
- No need for any changes because there is no need for a control line.

Lamp types:

High pressure sodium lamps
High pressure mercury lamps

Packaging:

box of 40
800 pieces/pallet

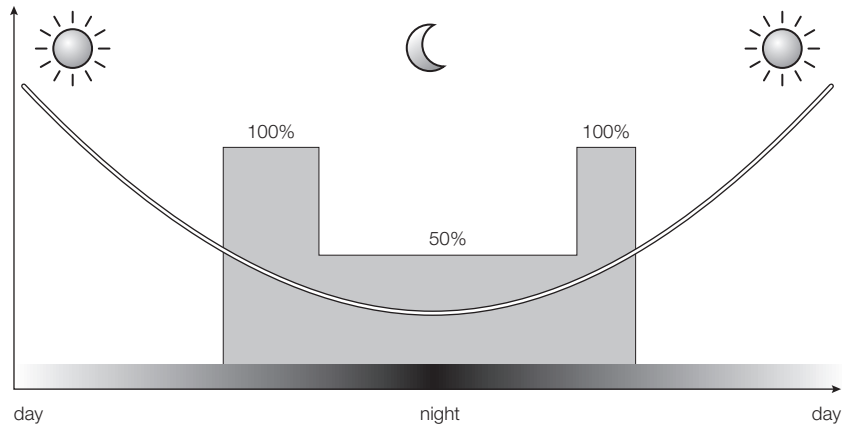
Type		ZRM U6M A001	ZRM U6M A003
article number		87500044	87500045
max. lamp wattage	W	400	400
supply voltage	V	220–240	220–240
frequency	Hz	50/60 ①	50/60
max. case temperature tc	°C	80	80
max. operating temperature ta	°C	+70	+70
min. operating temperature ta	°C	-30	-30
time delay for 100 % operation during the run-up phase	min.	10	10
switching times (preprogrammed at the factory) ②		3 h before natural midnight 4 h after natural midnight	3 h before natural midnight 4 h after natural midnight
power switching contact	cos φ 1	16 A	16 A
	cos φ 0.5	6 A	6 A
self-heating (approx.)	K	10	<5

① devices with production date starting from August 2006

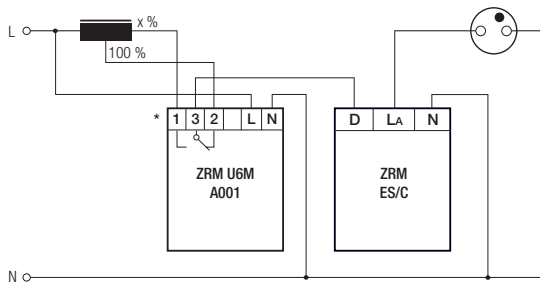
② can be reprogrammed in the installation at any time

Features of digital power switch ZRM U6M

- Automatic adjustment of switching times to natural light over different seasons.
- Low investment costs thanks to internal clock – no need for a control line. ZRM U6M can therefore be used in new installations as well to upgrade existing installations.
- Switching times are set up centrally via the mains supply.

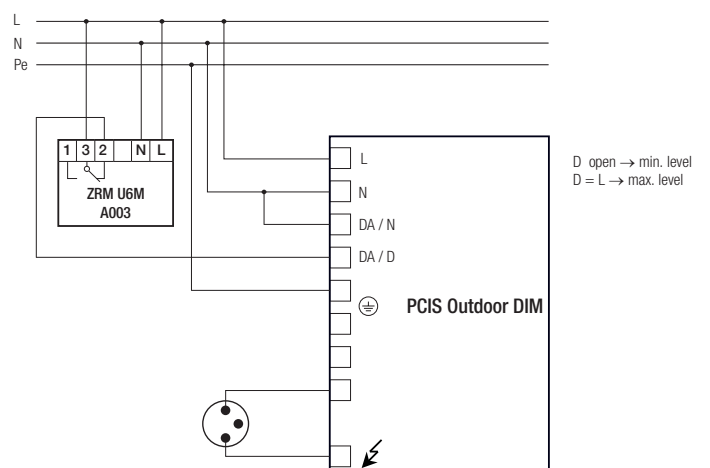
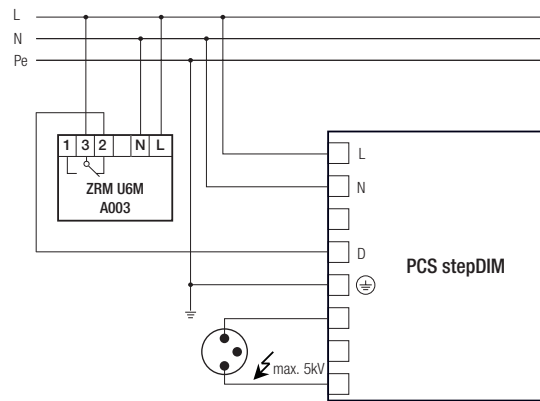


Circuit diagram ZRM U6M A001:



* standby operation: pin 1 and 2 are connected
100 % operation: pin 2 and 3 are connected

Circuit diagram ZRM U6M A003:



Circuit diagrams for power reduction in HID ECGs
(e.g. PCS stepDIM or PCIS Outdoor DIM)