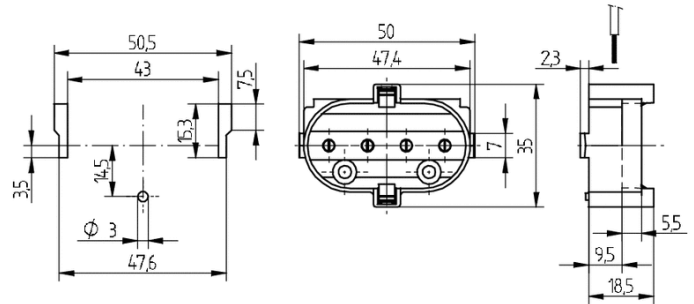




Technology for Light

# Lampholder 2G11 26.726.4840.50



T 140

U out  
500 V



18 AWG 0,5 - 1,0  
mm<sup>2</sup>



0,8



Technology for Light

# Lampholder 2G11

26.726.4840.50

---

## DESCRIPTION

For cable insertion direction please refer to drawing

|                     |                    |
|---------------------|--------------------|
| Product name:       | Lampholder 2G11    |
| Short description:  | For lamps TC-L     |
| Mounting method 1:  | Push-in, end mount |
| Material:           | Housing: PBT       |
| Approval:           | additional cULus   |
| cULus file no.:     | E-92235            |
| Material thickness: | 0.8                |
| Color:              | white              |
| Weight:             | 14                 |
| Pkg.:               | 250                |