

## Data sheet

Art.No.: 92.954.4453.0

Connector GST18i5S S1 ZR1 S PB02

GST18i5 connector, 5 pole, male with screw connection, coding mains 250 V + not SELV, 20 A, coding color pastel blue, strain relief color black



Art.No.	92.954.4453.0
EAN	4015573960947
Order Unit	1

Certificates / Approvals



## Technical data

### General

Rated current	20 A
Rated voltage	250 V / 400 V
Rated impulse voltage	4 kV
strain relief	Yes
Pollution degree	2
Mechanical coding	Code 2
Lockable	self-locking (unlocking by tool)
Color of coding/ contact carrier	pastel blue
Marking of poles	L, N, PE, D2, D1
Color of housing inclusive strain relief	black

### Connection Data

Cable diameter max.	13.5 mm
Cable diameter min.	7 mm
Connection cross section solid mm <sup>2</sup> max.	2.5 mm <sup>2</sup>
Connection cross section solid mm <sup>2</sup> min.	0.75 mm <sup>2</sup>
Connection cross section fine stranded mm <sup>2</sup> max.	2.5 mm <sup>2</sup>
Connection cross section fine stranded mm <sup>2</sup> min.	0.75 mm <sup>2</sup>
Terminations per pole	1
sheath strip length	42 mm
Wire strip length	7 mm

### Model

Model	male
Connection type	Screw connection

Degree of protection (IP)	IP20
Remark to type of connection	Fine stranded and stranded conductors require cable end sleeve

#### Material

Housing material	Polyamide
halogen free	Yes
Contact material	CuZn
Fire load	0.157 kWh
Insulation components continuous temperature	100 °C
Surface finish	Silver-plated

#### Dimensions

Length	76.4 mm
Width	47.75 mm
Height	15 mm

#### Classification

ECLASS 8.1	27440605
ETIM 7.0	EC002560
ETIM 6.0	EC002560
ETIM 5.0	EC002560
ETIM 4.0	EC002560

#### Product compliance

ROHS conformity status	Compliant/Exempted
ROHS exceptions	III-6(c)
REACH-SVHC conformity status	Duty-To-Declare
REACH-SVHC substances	Lead
REACH-SVHC CAS numbers	7439-92-1

#### Accessories

Art.No.:	Article/type description:	Description:
05.587.3156.0	Lock (G)ST18 WS	Locking device for cable to cable connection GST18i3-5, white
05.564.5353.0	cover cap GST18i3/4/5 SW	Cover piece 12 pole black for female parts GST18i3-6
05.564.5353.2	cover cap GST18i3/4/5 WS	Cover piece 12 pole white for female parts GST18i3-6
05.566.9253.0	cover cap GST18i5 BUCHSEN	Cover for female connectors GST18i5, black
05.587.3156.1	Lock (G)ST18 SW	Locking device for cable to cable connection GST18i3-5, black

#### Fits with

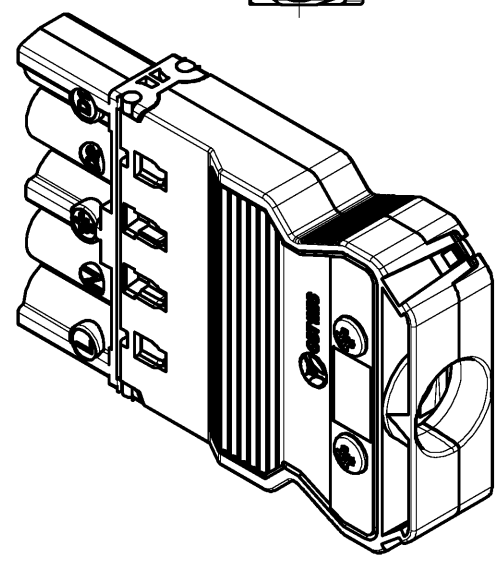
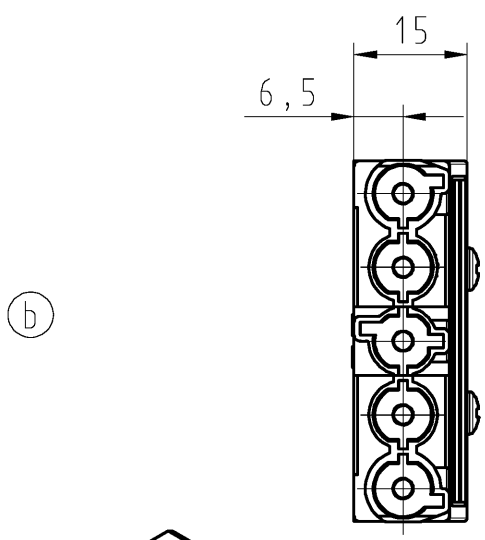
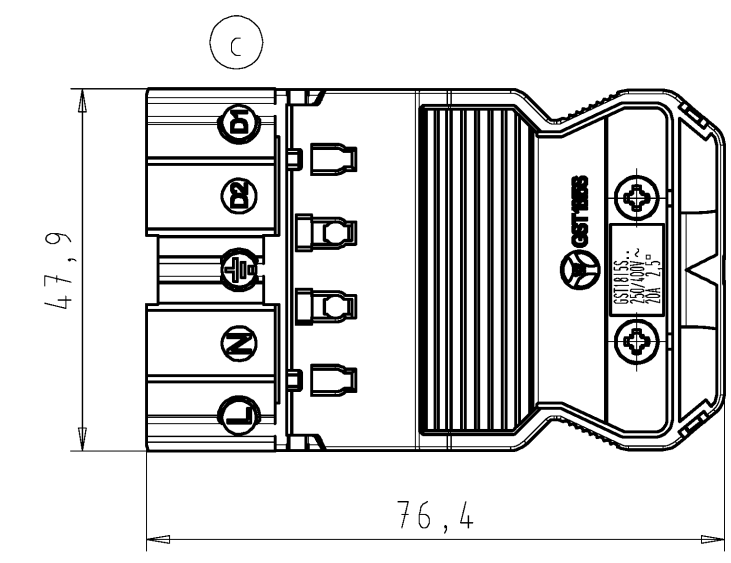
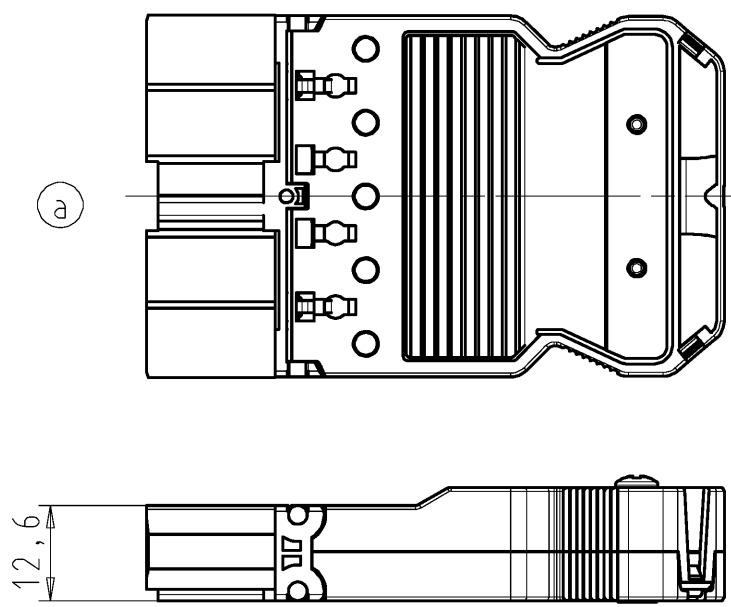
Art.No.:	Article/type description:	Description:
92.953.4453.0	Connector GST18i5S B1 ZR1 S PB02	GST18i5 connector, 5 pole, female with screw connection, coding mains 250 V + not SELV, 20 A, coding color pastel blue, strain relief color black
92.053.0458.0	Device connector GST18i5L B1H PB02	GST18i5 PCB mount with additional mounting option, 5 pole, female (horizontal), coding mains 250 V + not SELV, 20 A, coding color pastel blue
92.053.0058.0	Device connector GST18i5L B1H WS	GST18i5 PCB mount with additional mounting option, 5 pole, female (horizontal), coding mains 250 V/ 400 V, 20 A, coding color white

92.257.1000.9	Cable assembly GST18i5KSBS 15E 10PB02	GST18i5 connection cable female - male, length 1.0 m, 5 pole, coding mains 250 V + not SELV, 16 A, coding color pastel blue, strain relief color black, cable color black, cross section 1.5 mm <sup>2</sup> , cable type H05VV-F, fire class: Eca
92.257.1004.9	Cable assembly GST18i5K1-S 15E 10PB02	GST18i5 extension cable male - free end, length 1.0 m, 5 pole, coding mains 250 V + not SELV, 16 A, coding color pastel blue, strain relief color black, cable color black, cross section 1.5 mm <sup>2</sup> , cable type H05VV-F, fire class: Eca
92.053.0258.0	Device connector GST18i5L B1V BL01	GST18i5 PCB mount with additional mounting option, 5 pole, female (horizontal), coding SELV, 20 A, coding color light blue
92.257.1003.0	Cable assembly GST18i5KSB- 15E 10TR01	GST18i5 extension cable female - free end, length 1.0 m, 5 pole, coding UPS 250 V/ 400 V, 16 A, coding color tomato red, strain relief color black, cable color black, cross section 1.5 mm <sup>2</sup> , cable type H05VV-F, fire class: Eca

A  
B  
C  
D  
E  
F

These dimensions will be especially checked at delivery  
Only inspection dimensions  
With /E marked dimensions are only valid for internal use

Diese Maße werden bei Abnahme besonders geprüft  
Ausschließlich Prüfmaße  
Mit /E gekennzeichnete Maße sind nur für interne Zwecke gültig



Weitere Daten siehe Katalog  
further data see catalog

Weitergabe sowie Vervielfältigung dieses Dokuments, Verwertung und Mitteilung seines Inhalts sind verboten, soweit nicht ausdrücklich gestattet. Die Reproduktion, Distribution und Nutzung dieses Dokuments sowie die Kommunikation von its contents to others without express authorization is prohibited.

Tolerierung Size ISO 14405(E)/Tolerance system Size ISO 14405(E). (This ISO-standard describes the envelope principle. According to the envelope principle the deviations of form and parallelism are limited by the size tolerances).				ja/yes <input checked="" type="checkbox"/> Stoffverbots- und Deklarationsliste nach WN 5020.010 ist einzuhalten. Conformity with Wieland document WN 5020.010 e (list of prohibited / declarable hazardous substances) to be declared!							
Freitoleranz nach General tolerance		DIN ISO 2768 - m		CAD - Zeichnung, keine manuellen Änderungen CAD - drawing, no manual modifications allowed		1.Verwendung: First Use: -		Blatt: 1 von 1 Sheet: 1 of 1			
	/		Werkstoff/Material		2007	Tag/Date	Name		Zeichnung Nr./Drawing No.		Index
	/				gezeichnet drawn	25.09.	Schmitt J.		92.954.4453.0 01K c		
	/	Maßstab/Scale 1:1			geprüft checked	-	-				
	/				Normgepr. Stand. check	-	-		Maße in mm/Dimensions are in mm		
c	01.12.2015/	Vol.	mm <sup>3</sup>	Of1./Surf.	mm <sup>2</sup>	Ersatz für/Replacement for: -					
b	12.11.2012/			Type	Benennung/Title						
a	29.07.2008/			GST1815S		STECKERTEIL_MIT_ZUGENTLASTUNG					
Index	Datum / Blatt Date / Sheet			S1 ZR1 S PB02		male screw version with strain relief 250/400V AC, 20A, 2,5qmm					
Änderung/Revision											