

TECHNICAL FEATURES

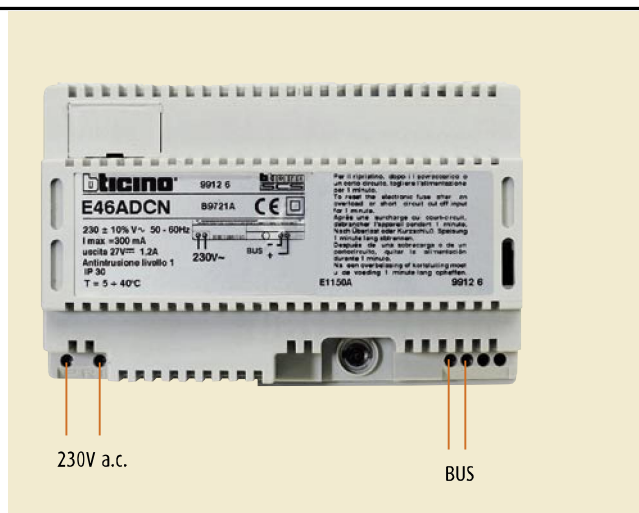
Power supplies and accessories

POWER SUPPLY ITEM E46ADCN

Power supply unit with very low safety voltage (SELV) protected against short-circuit and overload.
 Supplies functional power to the system components via the BUS cable.


TECHNICAL FEATURES

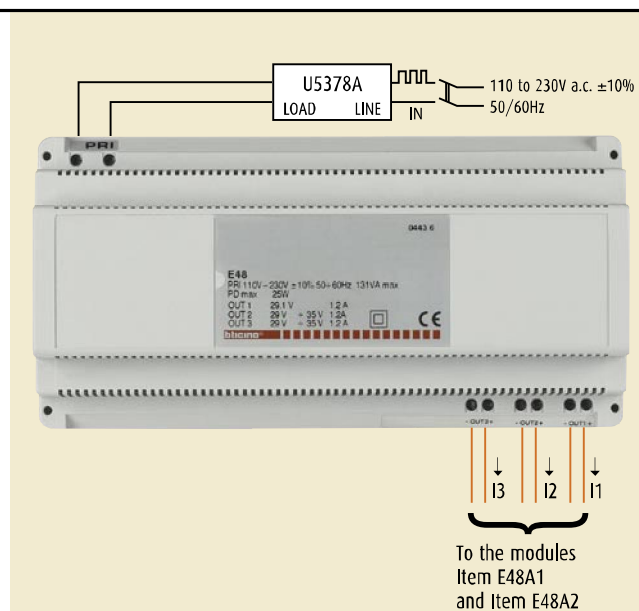
- Power supply: 230V a.c. ± 10% 50/60Hz
- Max. absorption: 300 mA
- Maximum current supplied: 1.2A
- Output rated voltage: 27V d.c.
- Size: 8 DIN modules
- Dissipated power with max. load:
 - 11 W



3-OUTPUT POWER SUPPLY ITEM E48

Basic unit to be used in lieu of the power supply units Item E46ADCN, Item E47ADCN and Item 346000 in MY HOME systems with several installations (burglar alarm, automation, 2-wire video door-entry systems, etc.).
 The device is equipped with 3 output terminals to which it is necessary to connect the Accessory modules Item E48A1 and Item E48A2, to be selected according to the specific types of installation.
 It is designed in a modular container for DIN rail (10 modules) and dissipates power Pd=25W with an absorption of 131VA.

 The loads connected to the 3 outputs must be such that $I_1 > I_2 > I_3$.



ACCESSORY ITEM E48A1

Accessory module to be used with the basic unit Item E48, with two terminals for supplying power at 27V d.c. 1.2A to the Burglar Alarm, Automation and Temperature Control systems.
 An anti-tampering device (NC contact) can be connected to the device as well as a 12V 7.2/12/24 Ah battery, to be used as a back-up unit of the system.
 The module is designed in a container for DIN rail (4 modules) and dissipates power Pd=7W.

